

**Content:**

**Dimension:** \*Dimensions in mm

Type	Power (w)		
	A	B	C
4"	12W	9W	6W
6"	15W	12W	9W
8"	25W	20W	15W

**AC 220-240 V**

EAN	W	lm	K	CRI	Operating(°C)	Vac	Hz	Dim	g	L	H	Inrush Current	Regular Driver
8719157046367	6	720/760	3000/4000	80	-20~+40	220-240	50/60	No	360	ø145	89	<b>Driver</b> 6W/9W/12W 9W/12W/15W 15W/20W/25W Inrush current peak(A) 22A 22A 22A Inrush current width(µs) 100µs 100µs 100µs Input Voltage 230V Input Voltage 230V, measured 50% Ipeak	
	9	1060/1120	3000/4000	80	-20~+40	220-240	50/60	No	360	ø145	89		
	12	1400/1500	3000/4000	80	-20~+40	220-240	50/60	No	360	ø145	89		
8719157046374	6	690/730	3000/4000	80	-20~+40	220-240	50/60	No	360	ø145	89	<b>Circuit Breaker</b> B16 47pcs 47pcs 47pcs C16 79pcs 79pcs 79pcs	
	9	1030/1090	3000/4000	80	-20~+40	220-240	50/60	No	360	ø145	89		
	12	1360/1460	3000/4000	80	-20~+40	220-240	50/60	No	360	ø145	89		
8719157046381	9	1080/1140	3000/4000	80	-20~+40	220-240	50/60	No	520	ø175	110	<b>Inrush Current</b> DALI Driver(Must be ordered separately) <b>DALI Driver</b> LF-ADD013 LF-ADD030 Inrush current peak(A) 14A 25A Inrush current width(µs) 120µs 240µs Input Voltage 230V Input Voltage 230V, measured 50% Ipeak	
	12	1420/1520	3000/4000	80	-20~+40	220-240	50/60	No	520	ø175	110		
	15	1740/1860	3000/4000	80	-20~+40	220-240	50/60	No	520	ø175	110		
8719157046398	9	1060/1120	3000/4000	80	-20~+40	220-240	50/60	No	520	ø175	110	<b>Circuit Breaker</b> B16 85pcs 37pcs C16 119pcs 61pcs	
	12	1380/1480	3000/4000	80	-20~+40	220-240	50/60	No	520	ø175	110		
	15	1680/1800	3000/4000	80	-20~+40	220-240	50/60	No	520	ø175	110		
8719157046404	15	1800/1920	3000/4000	80	-20~+40	220-240	50/60	No	660	ø220	140	<b>Inrush Current</b> DALI Driver(Must be ordered separately) <b>DALI Driver</b> LF-ADD013 LF-ADD030 Inrush current peak(A) 14A 25A Inrush current width(µs) 120µs 240µs Input Voltage 230V Input Voltage 230V, measured 50% Ipeak	
	20	2380/2520	3000/4000	80	-20~+40	220-240	50/60	No	660	ø220	140		
	25	2900/3060	3000/4000	80	-20~+40	220-240	50/60	No	660	ø220	140		
8719157046411	15	1740/1860	3000/4000	80	-20~+40	220-240	50/60	No	660	ø220	140	<b>Circuit Breaker</b> B16 85pcs 37pcs C16 119pcs 61pcs	
	20	2280/2420	3000/4000	80	-20~+40	220-240	50/60	No	660	ø220	140		
	25	2800/2960	3000/4000	80	-20~+40	220-240	50/60	No	660	ø220	140		

**Installation:**

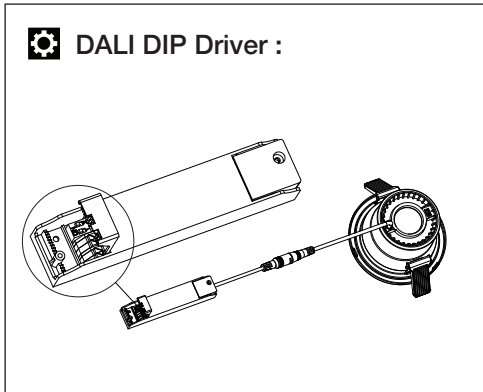
**1**

Type	Cut-out size
4"	Ø120~130mm
6"	Ø148~160mm
8"	Ø190~202mm

**2**

**3**

**WARNING - Risk of overheating or fire if the clearance distances are compromised.**

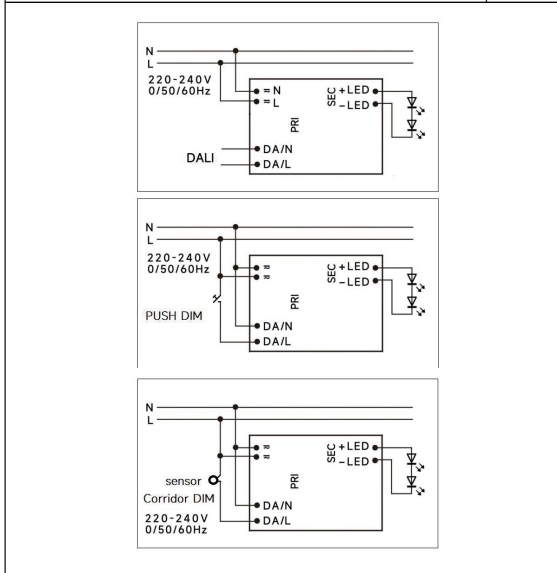


ON	OFF	Item	Lifud LF-ADD013 EAN:8719157046428				
			Fixture Max	Driver CC	250mA	300mA	350mA
↑	↓	8719157046367	270mA	12W 1500lm	X	X	X
		8719157046374			X	X	X
↑	↓	8719157046381	340mA	12W 1500lm	X	X	X
		8719157046398			X	X	X
↑	↓	8719157046404	550mA	12W 1500lm	X	X	X
		8719157046411			X	X	X

\*Max Lumen / Max Wattage

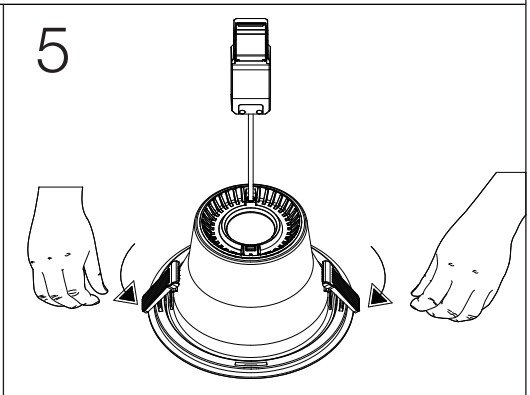
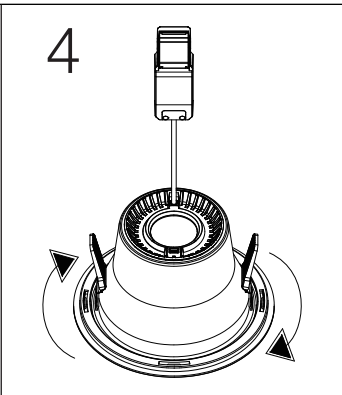
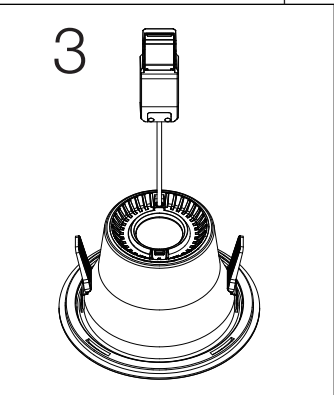
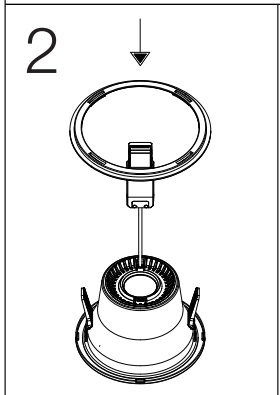
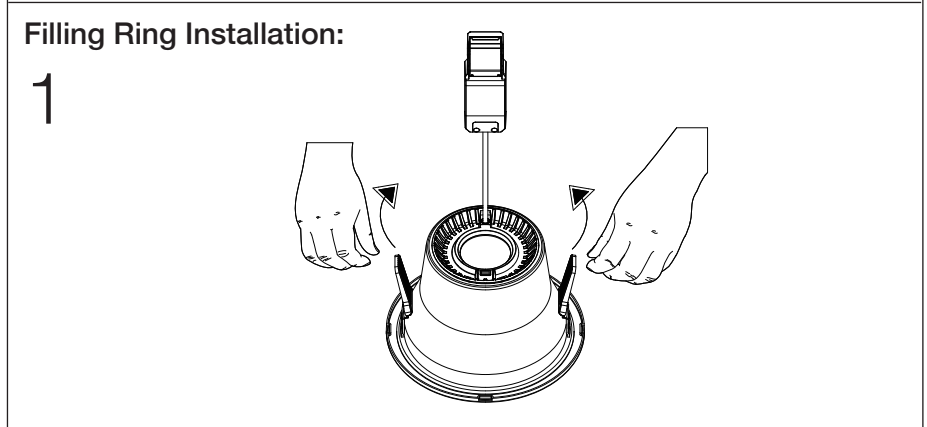
ON	OFF	Item	Lifud LF-ADD030 EAN:8719157045902									
			Fixture Max	Driver CC	400mA	450mA	500mA	550mA	600mA	650mA	700mA	750mA
↑	↓	8719157046367	270mA	12W 1500lm	X	X	X	X	X	X	X	X
		8719157046374			X	X	X	X	X	X	X	
↑	↓	8719157046381	340mA	12W 1500lm	X	X	X	X	X	X	X	X
		8719157046398			X	X	X	X	X	X	X	
↑	↓	8719157046404	550mA	12W 1500lm	X	X	X	X	X	X	X	X
		8719157046411			X	X	X	X	X	X	X	

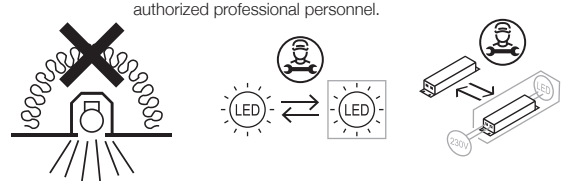
\*Max Lumen / Max Wattage



**Accessories (must be ordered separately)**

EAN	ITEM
8719157035040	LED Downlight Apollo Extension ring for gap of 150mm/InnerØ120mm-OuterØ167mm
8719157035057	LED Downlight Apollo Extension ring for gap of 225mm/InnerØ200mm-OuterØ240mm



- 1. The luminaire must be installed by a qualified electrician and wired in accordance with the local wiring regulations.
  - 2. For indoor use only.
  - 3. Do not switch on before complete installation.
  - 4. If the external flexible cord of this luminaire is damaged, it shall be exclusively replaced by the manufacturer or his service agent or a similar qualified person in order to avoid a hazard.
  - 5. The light source of this luminaire is not replaceable; when the light source reaches its end of life the whole luminaire shall be replaced.
  - 6. The supply cord and cable provided with the luminaire is intended for indoor use only.
  - 7. Luminaire must not be used or stored in corrosive environment where hazardous materials such as Sulphur, Chlorine, Phthalates, etc, are present.
- !** This Product is equipped with a LED light source that can only be replaced by authorized professionals. This product has a control gear that can only be replaced by authorized professional personnel.
- 

**EN** The luminaire shall be installed and maintained by a qualified electrician, in accordance with the national regulations in each country. The luminaire contains no replaceable parts. In case of the luminaire is damaged, it shall be exclusively replaced by the manufacturer or authorized dealer. Keep the operating manual for later use. The manufacturer is not responsible for the incorrect use and assembly of this product.

**NL** De armatuur dient te worden geïnstalleerd en onderhouden door een erkend installateur, in overeenstemming met de nationale regelgeving in het betreffende land. De armatuur bevat geen vervangbare onderdelen. Indien de armatuur is beschadigd dient deze enkel te worden vervangen door de fabrikant of door een erkende dealer. Bewaar de handleiding voor later gebruik. De fabrikant is niet verantwoordelijk voor onjuist gebruik en/of installatie van dit product.

**DE** Die Leuchte muss von einem qualifizierten Elektriker gemäß den nationalen Vorschriften in jedem Land installiert und gewartet werden. Die Leuchte enthält keine austauschbaren Teile. Falls die Leuchte beschädigt ist, wird sie ausschließlich durch den Hersteller oder den autorisierten Händler ersetzt. Bewahren Sie die Bedienungsanleitung für spätere Verwendung auf. Der Hersteller ist nicht verantwortlich für die unsachgemäße Verwendung und Montage dieses Produktes.

**FR** Le luminaire doit être installé et entretenu par un électricien qualifié, conformément à la réglementation nationale de chaque pays. Le luminaire ne contient pas de pièces remplaçables. Dans le cas où le luminaire est endommagé, il doit être remplacé exclusivement par le fabricant ou le revendeur agréé. Conservez le mode d'emploi pour une utilisation ultérieure. Le fabricant n'est pas responsable de l'utilisation et du montage incorrects de ce produit.

**IT** L'apparecchio deve essere installato e mantenuto da un elettricista qualificato seguendo le normative nazionali di riferimento. L'apparecchio non contiene parti sostituibili. In caso di rottura sarà sostituito esclusivamente dal produttore o da un rivenditore autorizzato. Conservate il manuale di installazione per eventuali utilizzi successivi. Il produttore non è responsabile per l'utilizzo ed il montaggio non corretto di tale apparecchio.

**ES** La luminaria debe de ser instalada y mantenida por un electricista cualificado, siguiendo las regulaciones nacionales de cada país. La luminaria contiene partes no reemplazables. En el caso de que la luminaria sea dañada, deberá ser reemplazada exclusivamente por el fabricante o distribuidor autorizado. Guarde el manual para usos posteriores. El fabricante no es responsable por el uso e instalación incorrecta de este producto.